



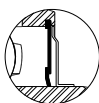
# UEF 200 SERIES

Normal-Duty 4-Bolt Flange Block  
Tru-Loc

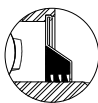
# TURNER

Mounted Bearings

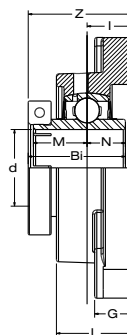
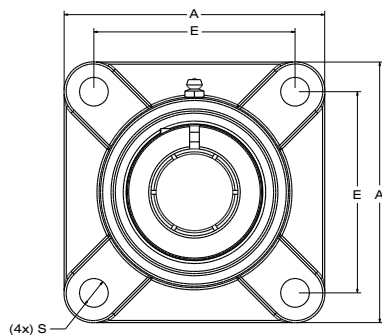
Available Seal Styles:



Standard



L3



Bearing Number	Shaft Dia. d in. mm.	Dimensions in. mm.										Bolt Used in. mm.	Load Rating lbs. kN.		Bearing Insert	Housing Number	Weight lbs. kg.														
		A	E	I	G	L	S	Z	Bi	N	M		Dynamic C <sub>r</sub>	Static C <sub>or</sub>																	
UEF 204-12	3/4	3.38	2.500	0.59	0.47	1.00	0.44	1.38	1.2992	0.5000	0.7205	3/8	2,883	1,496	UE 204-12	F 204	1.8														
UEF 204	20	86.0	63.5	15.0	12.0	25.5	11.0	35.3	33.0	12.7	18.3	M10	12.82	6.65	UE 204		0.8														
UEF 205-14	7/8	3.75	2.750	0.63	0.56	1.06	0.47	1.47	1.3937	0.5630	0.7795	7/16	3,155	1,810	UE 205-14	F 205	2.4														
UEF 205-15	15/16														UE 205-15			1.1													
UEF 205	25														95.0			69.9	16.0	14.0	27.0	12.0	37.1	35.4	14.3	19.8	M10	14.04	8.05	UE 205	1.1
UEF 205-16	1														UE 205-16																
UEF 206-17	1 1/16	4.25	3.250	0.71	0.56	1.22	0.47	1.66	1.5669	0.6260	0.8740	7/16	4,377	2,569	UE 206-17	F 206	3.1														
UEF 206-18	1 1/8														UE 206-18			1.4													
UEF 206	30														108.0			82.6	18.0	14.0	31.0	12.0	41.9	39.8	15.9	22.2	M10	19.47	11.43	UE 206	1.4
UEF 206-19	1 3/16														UE 206-19																
UEF 206-20	1 1/4														UE 206-20																
UEF 207-20	1 1/4	4.61	3.625	0.75	0.63	1.34	0.55	1.78	1.7283	0.6890	1.0000	1/2	5,775	3,497	UE 207-20	F 207	4.6														
UEF 207-21	1 5/16														UE 207-21			2.1													
UEF 207-22	1 3/8														117.0			92.1	19.0	16.0	34.0	14.0	45.4	43.9	17.5	25.4	M12	25.69	15.56	UE 207-22	2.1
UEF 207	35														UE 207																
UEF 207-23	1 7/16														UE 207-23																
UEF 208-24	1 1/2	5.13	4.000	0.82	0.63	1.44	0.55	2.06	1.9764	0.7480	1.1890	1/2	6,634	4,079	UE 208-24	F 208	5.5														
UEF 208-25	1 9/16														UE 208-25			2.5													
UEF 208	40														130.0			101.6	21.0	16.0	36.0	14.0	52.2	50.2	19.0	30.2	M12	29.51	18.14	UE 208	
UEF 209-26	1 5/8	5.38	4.125	0.88	0.71	1.50	0.63	2.09	1.9764	0.7480	1.1890	9/16	7,160	4,676	UE 209-26	F 209	6.8														
UEF 209-27	1 11/16														UE 209-27			3.1													
UEF 209-28	1 3/4														137.0			104.8	22.0	18.0	38.0	16.0	53.2	50.2	19.0	30.2	M14	31.85	20.80	UE 209-28	
UEF 209	45														UE 209																
UEF 210-30	1 7/8	5.63	4.375	0.88	0.71	1.56	0.63	2.19	2.0709	0.7480	1.2835	9/16	7,867	5,330	UE 210-30	F 210	7.5														
UEF 210-31	1 15/16														UE 210-31			3.4													
UEF 210	50														143.0			111.1	22.0	18.0	40.0	16.0	55.6	52.6	19.0	32.6	M14	35.00	23.71	UE 210	
UEF 210-32	2														UE 210-32																
UEF 211-32	2	6.38	5.125	0.98	0.79	1.69	0.69	2.34	2.2283	0.8740	1.3150	5/8	9,743	6,608	UE 211-32	F 211	10.1														
UEF 211-34	2 1/8														UE 211-34			4.6													
UEF 211	55														162.0			130.2	25.0	20.0	43.0	17.0	59.4	56.6	22.2	33.4	M16	43.34	29.40	UE 211	
UEF 211-35	2 3/16														UE 211-35																
UEF 212-36	2 1/4	6.88	5.625	1.13	0.79	1.88	0.69	2.75	2.6220	1.0000	1.5630	5/8	10,720	7,516	UE 212-36	F 212	12.5														
UEF 212	60														175.0			142.9	29.0	20.0	48.0	17.0	70.2	66.6	25.4	39.7	M16	47.69	33.43	UE 212	5.7
UEF 212-38	2 3/8														UE 212-38																
UEF 212-39	2 7/16														UE 212-39																